



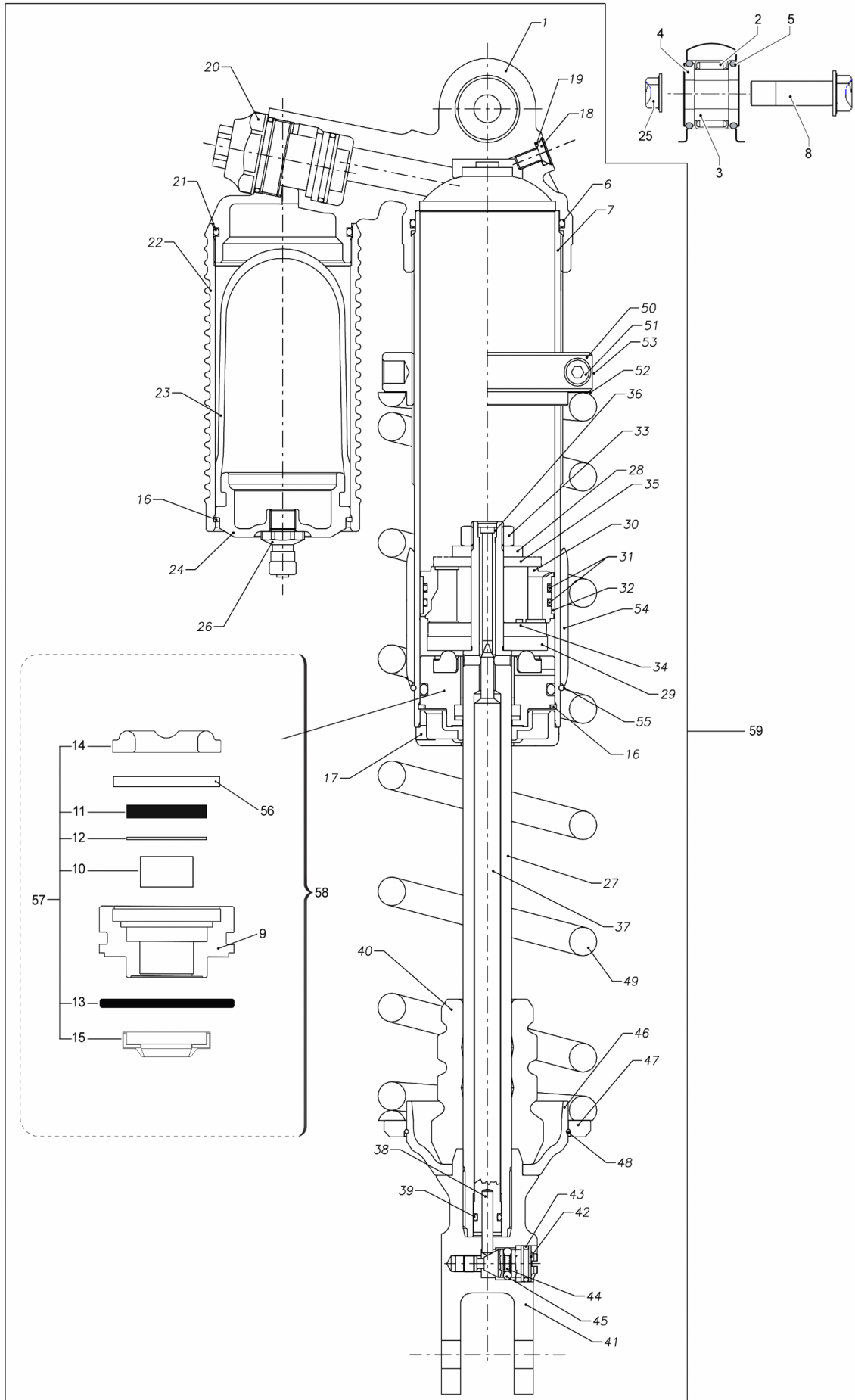
TM REAR SHOCK

PARTS CATALOGUE

AMMORTIZZATORE TM

CATALOGO RICAMBI

MY 2019



POS.	COD. 2T	Q.tà - Q.ty	MY	NOTE	DESCRIZIONE	DESCRIPTION
1	72194	1		2T/2S	TESTINA MONO	MONO HEAD
	F72502	1		4T/4S	TESTINA MONO	MONO HEAD
2	19101	1			GABBIA A RULLI	BALL BEARING CAGE
3	73213	1			BOCCOLA	BUSHING
4	F26536	2			SPESSORE	SPACER
5	12058	2			ANELLO OR	O-RING
6	12007	1			ANELLO OR SCARICO	EXHAUST O-RING
7	F72527	1			TUBO	PIPE
8	49792	1			VITE TE M10x54	HEXAGON SOCKET-HEAD BOLT M10x54
9	F72539	1	MY 19		GUIDA STELO	GUIDE ROD
10	72252	1	MY 19		BOCCOLA	BUSHING
11	F04387	1	MY 19		TENUTA	OIL SEAL
12	F48399	1	MY 19		SPESSORE	SPACER
13	F12333	1			ANELLO OR	O-RING
14	F72402	1			TAMPONE	PAD
15	F04374	1			PARAPOLVERE	DUST SEAL
16	49268	2			ANELLO RITEGNO	RETAINING CIRCLIP
17	F72350	1			COPERCHIO	COVER
18	49944	1			VITE TS M5x12	SCREW TS M5x12
19	F12306	1			ANELLO OR Ø32-40	O-RING Ø32-40
20	72406	1			VALVOLA COMPRESSIONE	COMPRESSION VALVE
21	12253	1			ANELLO OR SCARICO	EXHAUST O-RING
22	F72453	1			SERBATOIO	TANK
23	F72452	1			MEMBRANA	MEMBRANE
24	F72455	1			TAPPO	PLUG
25	49681	1			DADO AUTOBLOCCANTE M10	SELF-LOCKING NUT M10
26	F72381	1			VALVOLA	VALVE
27	F72456	1			STELO AMMORTIZZATORE	SHOCK ABSORBER ROD
28	F72405	1			RONDELLA Ø12x26x4	WASHER Ø12x26x4
29	F72404	1			RONDELLA Ø12x44.5x5	WASHER Ø12x44.5x5
30	F72372	1			PISTONE AMMORTIZZATORE	SHOCK ABSORBER PISTON
31	F12328.1	2			ANELLO OR Ø42,5	O-RING Ø42,5
32	F72401	1			ANELLO DI TENUTA Ø50	SEALING RING Ø50
33	F49848	1			DADO M12	NUT M12
34	75120	1		2T/2S	PACCO LAMELLE COMPRESSIONE	COMPRESSION REED PACK
	F72407	1		4T/4S	PACCO LAMELLE COMPRESSIONE	COMPRESSION REED PACK
35	76120	1		2T/2S	PACCO LAMELLE ESTENSIONE	EXTENSION REED PACK
	F72408	1		4T/4S	PACCO LAMELLE ESTENSIONE	EXTENSION REED PACK
36	F72406	1			UGELLO	NOZZLE
37	F72457	1			ASTINA	DIPSTICK
38	F72371	1			PUNTALE	PUSH ROD
39	12056	1			ANELLO OR	O-RING
40	F72403	1			TAMPONE	PAD
41	F72364	1		2T/2S	PIEDINO	FORK BOTTOM
	F72362	1		4T/4S	PIEDINO	FORK BOTTOM
42	F72368	1			REGISTRO	ADJUSTER
43	F12319	1			ANELLO OR	O-RING
44	F16455	1			MOLLA	SPRING
45	19057	2			SFERA Ø3	BALL Ø3
46	F72485	1			PIATTELLO	PLATE
47	F72366	1			FLANGIA	FLANGE
48	F49845	1			ANELLO RITEGNO	RETAINING CIRCLIP
49	F72462	1			MOLLA K=40	SPRING K=40
49	F72423	1			MOLLA K=42	SPRING K=42
49	F72351	1			MOLLA K=44	SPRING K=44
49	F72352	1			MOLLA K=46	SPRING K=46
49	F72353	1			MOLLA K=48	SPRING K=48
49	F72354	1			MOLLA K=50	SPRING K=50
49	F72355	1			MOLLA K=52	SPRING K=52
49	F72398	1			MOLLA K=54	SPRING K=54

