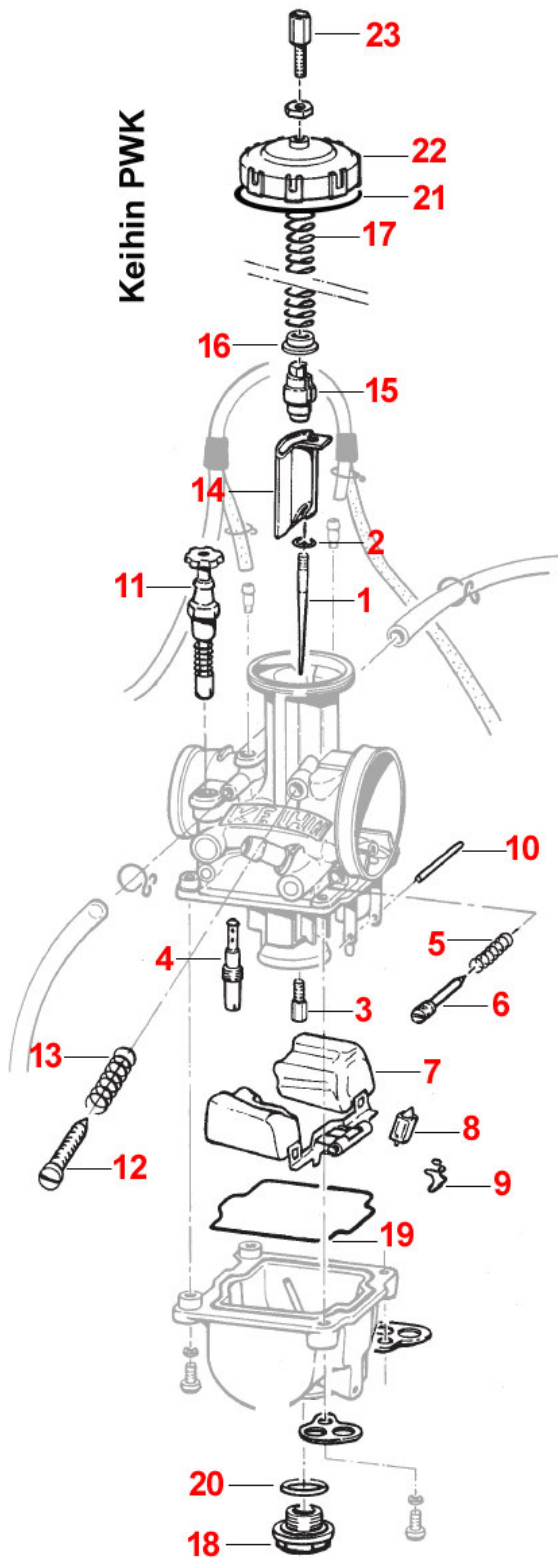
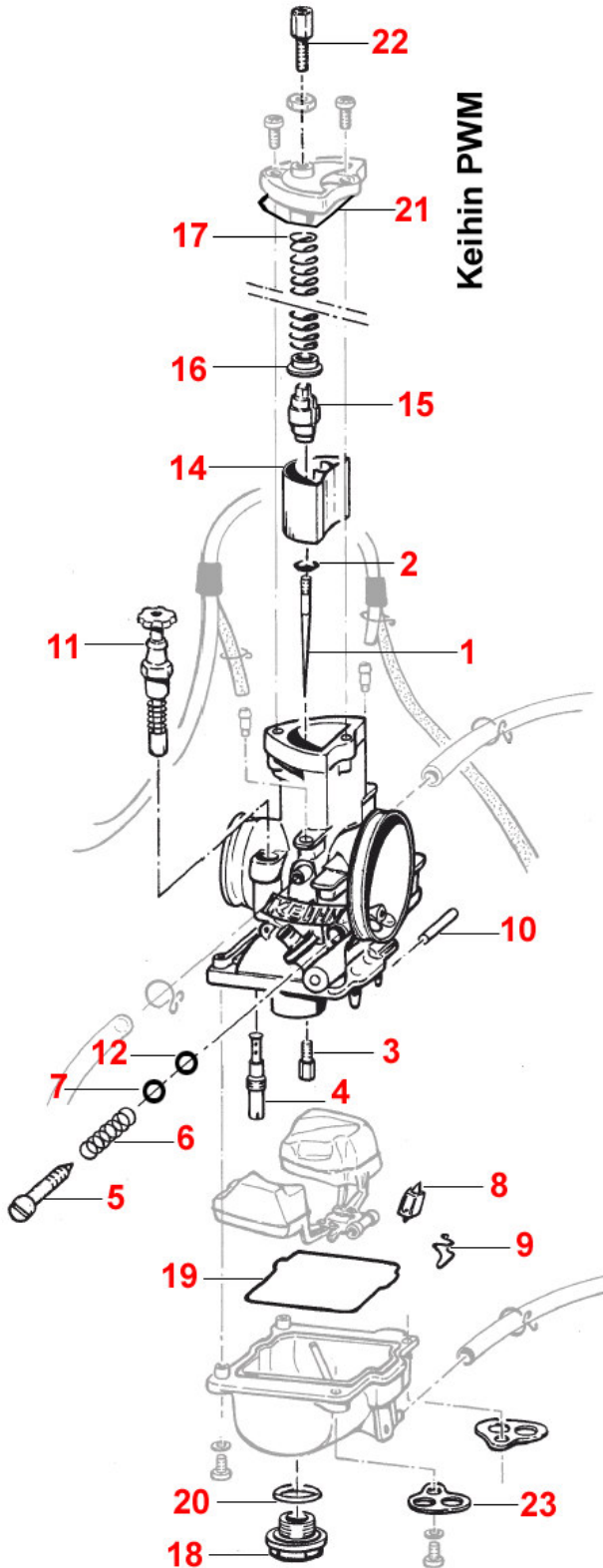


# Keihin PWK Ø 38



| Pos. | Code                | Description  |
|------|---------------------|--|
| 1    | D24101. <b>TYPE</b> | JET NEEDLE   |
|      |                     | <b>Jet Needle available:</b>   |
|      |                     | N1EE – N1EC – N1ED – N4SC  |
| 2    | D24111              | CLIP JET NEEDLE  |
| 3    | D24100. <b>SIZE</b> | MAIN JET   |
|      |                     | <b>Main Jet available:</b>   |
|      |                     | 135 – 140 – 145 – 148 – 150 – 152 – 155 – 158<br>160 – 162 – 165 – 168 – 170 – 172 – 175 – 178<br>180 – 182 – 185 – 188 – 190 – 192 – 195 – 198<br>200 |
| 4    | D24102. <b>SIZE</b> | SLOW JET   |
|      |                     | <b>Slow Jet available:</b>   |
|      |                     | 35 – 38 – 40 – 42 – 45 – 48 – 50 – 52 – 55<br>58 – 60  |
| 5    | D24110              | SPRING   |
| 6    | D24121              | SCREW, AIR ADJUST  |
| 7    | D24124              | FLOAT BOWL COMP.   |
| 8    | D24113              | FLAOT VALVE COMP.  |
| 9    | D24114              | CLIP. FLOAT VALVE  |
| 10   | D24103              | PIN, FLOAT   |
| 11   | F24309              | STARTER VALVE COMP.  |
| 12   | D24104              | IDLE ADJUSTER (PLASTIC)  |
| 13   | D24105              | SPRING   |
| 14   | D24109              | THROTTLE VALVE   |
| 15   | D24119              | CABLE HOLDER   |
| 16   | D27118              | COLLAR   |
| 17   | D24117              | SPRING, THROTTLE   |
| 18   | D24115              | PLUG SCREW   |
| 19   | D24127              | GASKET, FLOAT BOWL   |
| 20   | D24108              | O-RING, PLUG SCREW   |
| 21   | D24123              | GASKET   |
| 22   | D24122              | TOP  |
| 23   | D24131              | CABLE ADJUSTER   |

# Keihin PWM Ø 38



| Pos. | Code                | Description  |
|------|---------------------|--|
| 1    | D24101. <b>TYPE</b> | JET NEEDLE<br><b>Jet Needle available:</b><br>N1EE – N1EC – N1ED – N4SC  |
| 2    | D24111              | CLIP JET NEEDLE  |
| 3    | D24100. <b>SIZE</b> | MAIN JET<br><b>Main Jet available:</b><br>135 – 140 – 145 – 148 – 150 – 152 – 155 – 158<br>160 – 162 – 165 – 168 – 170 – 172 – 175 – 178<br>180 – 182 – 185 – 188 – 190 – 192 – 195 – 198<br>200 |
| 4    | D24102. <b>SIZE</b> | SLOW JET<br><b>Slow Jet available:</b><br>35 – 38 – 40 – 42 – 45 – 48 – 50 – 52 – 55<br>58 – 60  |
| 5    | D24121              | SCREW, AIR ADJUST  |
| 6    | D24110              | SPRING   |
| 7    | D24129              | WASHER   |
| 8    | D24132              | FLAOT VALVE COMP.  |
| 9    | D24114              | CLIP. FLOAT VALVE  |
| 10   | D24103              | PIN, FLOAT   |
| 11   | F24309              | STARTER VALVE COMP.  |
| 12   | D24120              | O-RING   |
| 14   | D24125              | THROTTLE VALVE   |
| 15   | D24119              | CABLE HOLDER   |
| 16   | D27118              | COLLAR   |
| 17   | D24117              | SPRING, THROTTLE   |
| 18   | D24115              | PLUG SCREW   |
| 19   | D24127              | GASKET, FLOAT BOWL   |
| 20   | D24108              | O-RING, PLUG SCREW   |
| 21   | D24126              | GASKET, TOP  |
| 22   | D24131              | CABLE ADJUSTER   |
| 23   | D24128              | ANCHOR PLATE   |